

PRODUCT TECHNICAL SHEET		
Collection :	1921	Ref. : 1921.--.48

Robinet de lave-mains mural à encastrer, bec 200 mm

Fonteinkraan voor wandmontage, uitloop 200 mm

Concealed wall-mounted washbasin tap, spout 200 mm

Picture

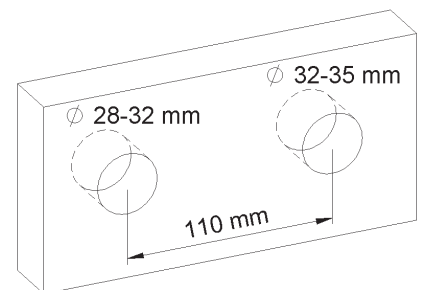
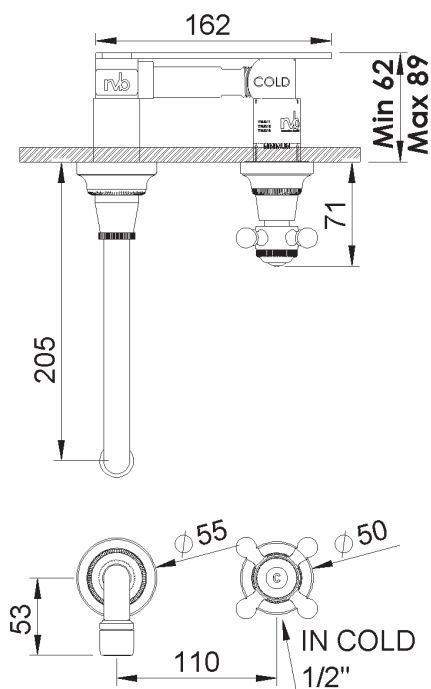
Product details



Flow at 3 bar : Restricted 7,5 l/min

Internal mechanism : Ceramic valve 1/4 turn

Technical drawing



RC0.V01